

Launch of new product

Slimfocus with a base

Available immediately.

Production time from order: 6 weeks (for black paint finish)

Export retail price: € 7,394 (excluding sales tax) for a ceiling height of 2.70 m, ceiling cover disc included

€ 311 (excluding sales tax) per metre of additional flue
+ 3.5% for grey paint finish (+2 weeks of production time)

Following the two suspended versions, we are pleased to announce the wood-burning Slimfocus with a base.

The Slimfocus with a base is a closed, fixed, wood-burning fireplace that draws in ambient air from the room. The firebox is similar to that of the suspended Slimfocus.

The joint between the top of the fireplace and the ceiling is achieved with a custom-made cover disc (page 2). The fireplace is attached to the floor with an anchoring plate (page 2).

The installation is guaranteed for a ceiling height of up to 4 m; above that it is necessary to consult us for a specific study. Efficiency is guaranteed for a flue length of a minimum of 3 m (interior + exterior) with the door closed. We recommend using 25-cm logs for the fire.

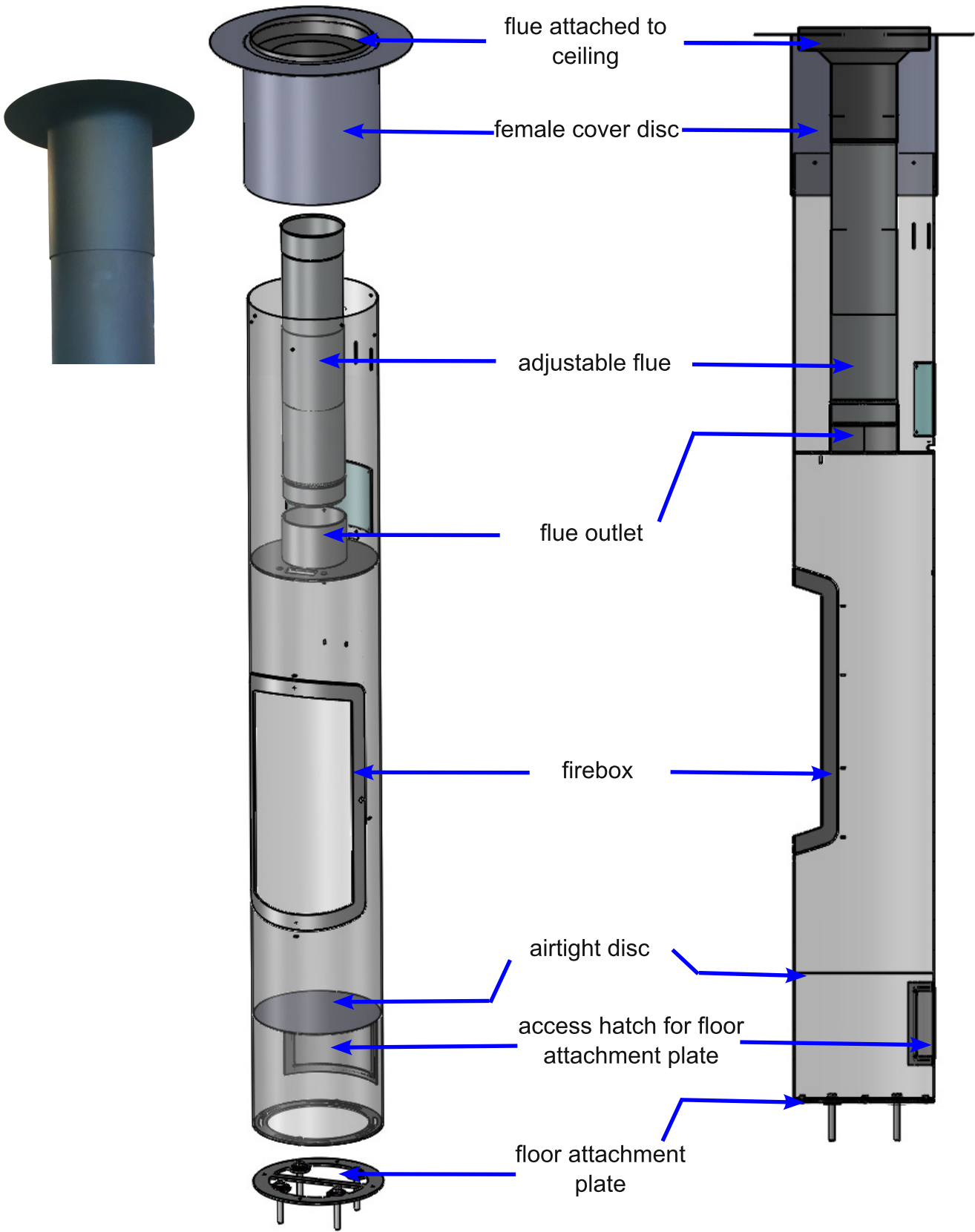
Performance:

- range of heat output: 2–6 kw
- efficiency : 85%
- particle emission : 30 mg/Nm³
- CO at 13% of O₂ : 0.08%

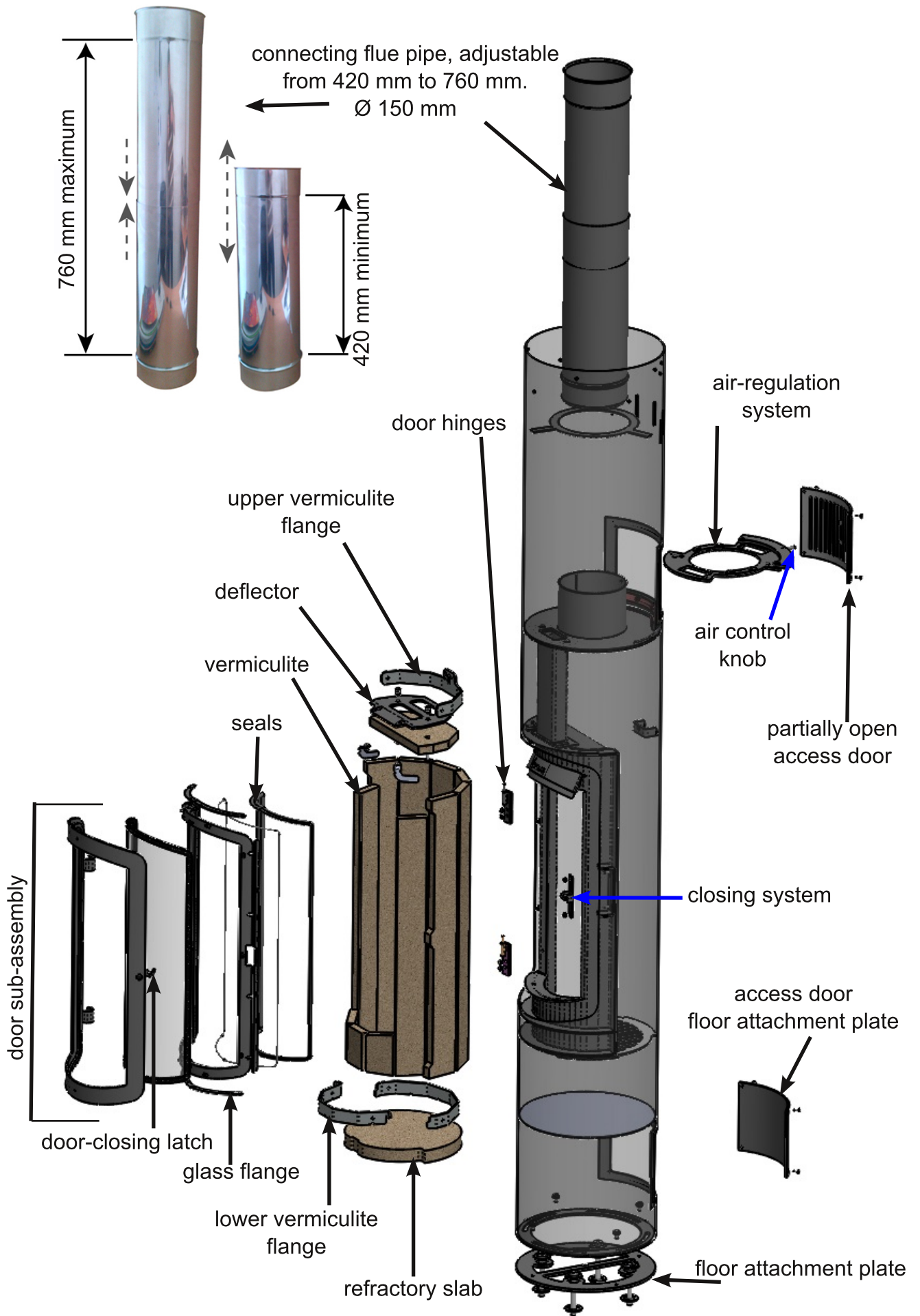
Note: The connection of the Slimfocus is specific to this model. Please refer to the separate information sheet supplied with this Technical Notice.



diagram

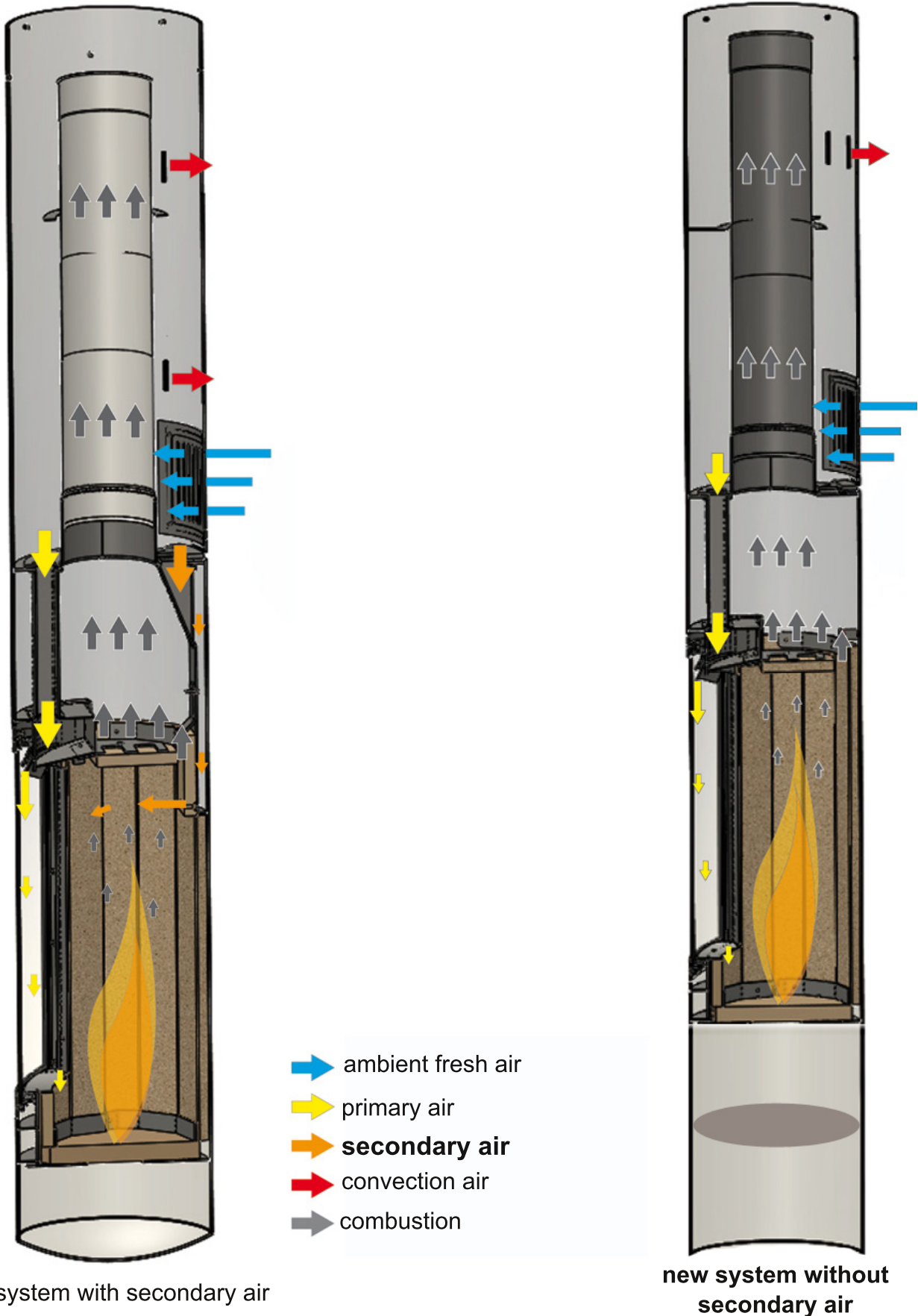


composition of stove

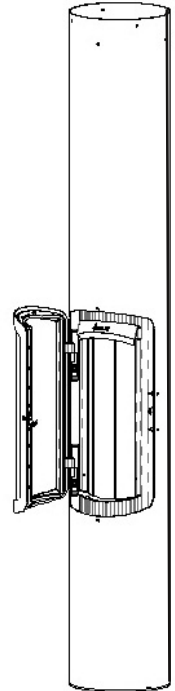
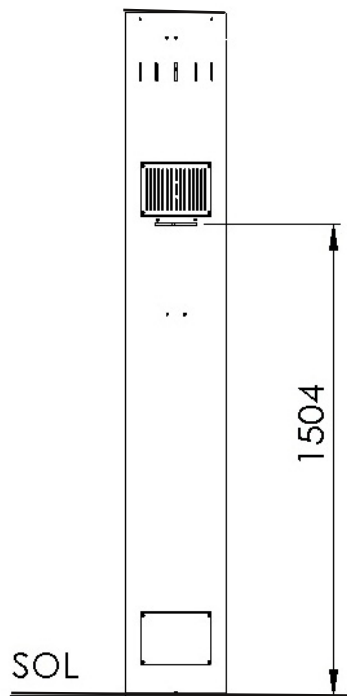
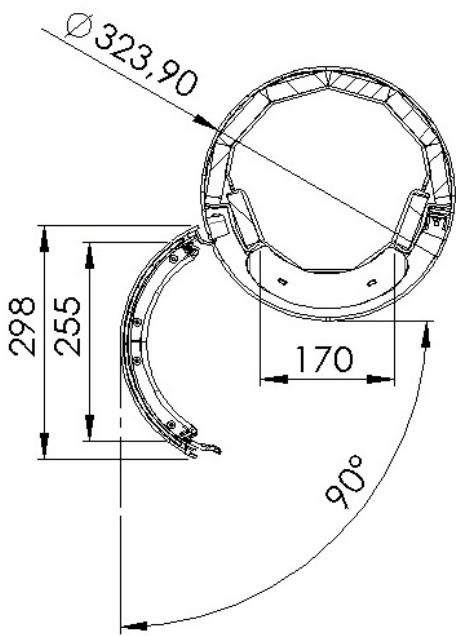
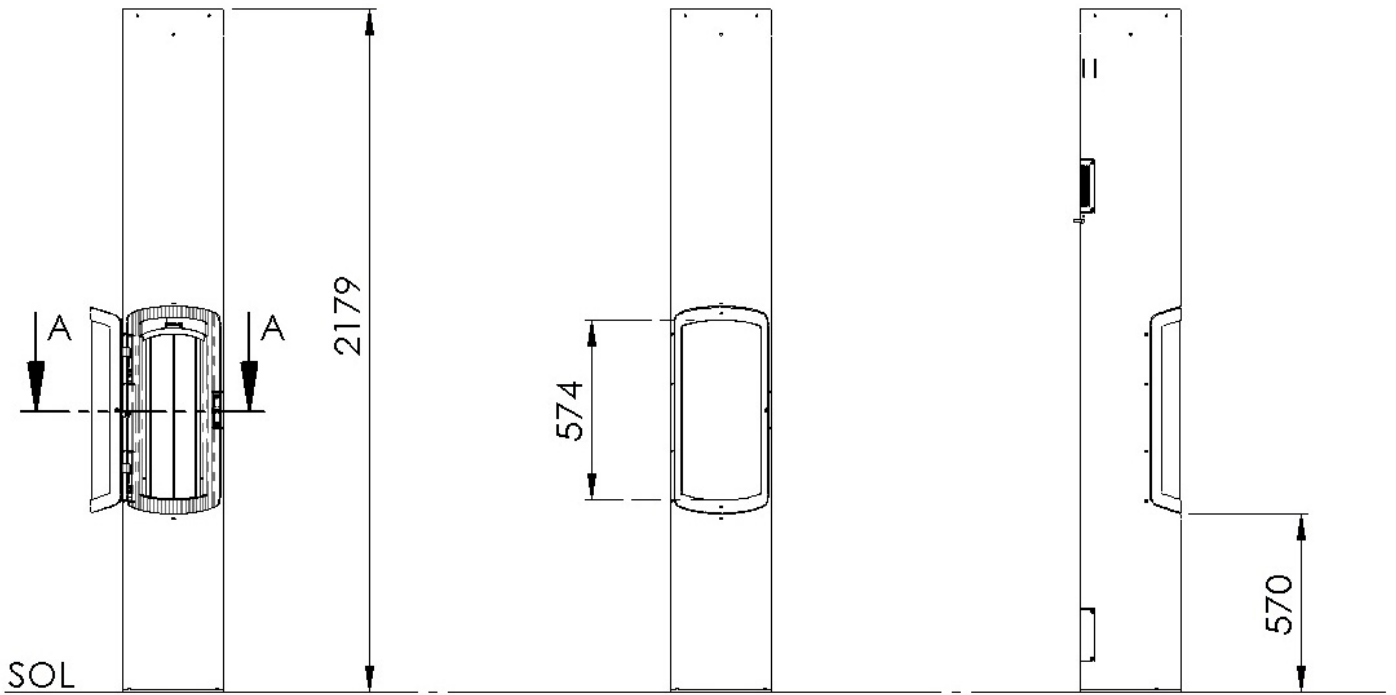


air circulation

The secondary air intake has been removed in the new Slimfocus fireplaces. This modification has been approved for all three versions of the Slimfocus: with a base, stationary suspended and pivoting suspended. This modification does not alter the performance of the fireplace.

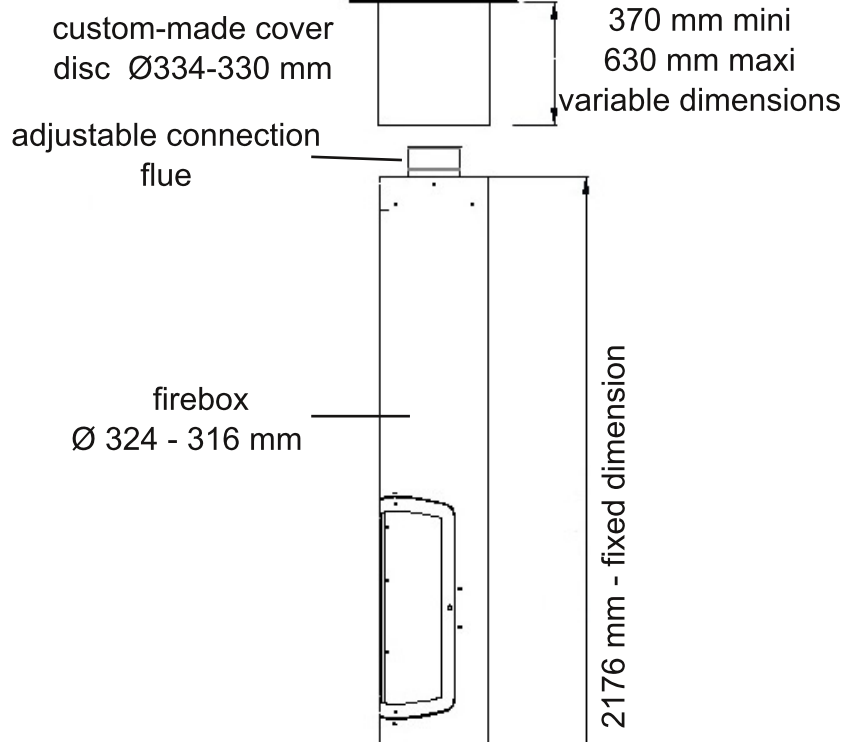
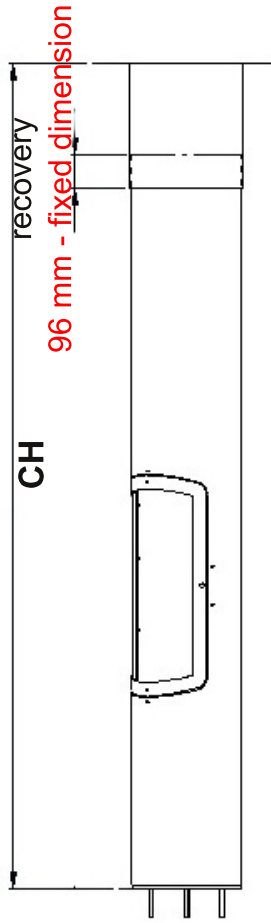


main dimensions

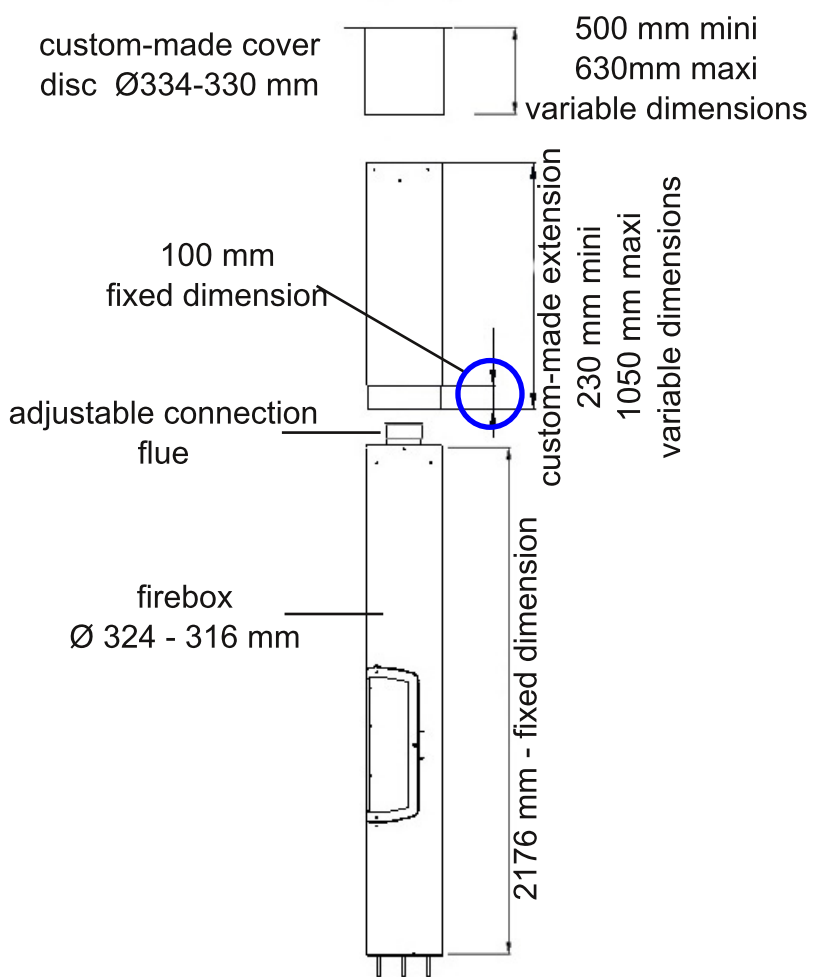
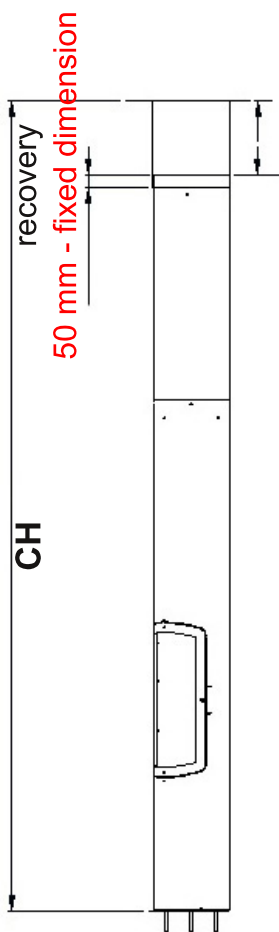


configuration according to ceiling height (CH)

2450 mm > CH > 2700 mm



CH > 2700 mm



packaging



Outer dimensions of the crate: 2320 x 480 x 1020 mm.

The crate is designed to hold the Slimfocus and 2 additional flues up to a maximum 1050 mm each.

The stainless steel connecting flue is placed inside the Slimfocus.

The cover disc is packaged in a separate pallet.

Weight of the crate with the Slimfocus + connection flue = 183 kg.

Weight of the additional steel flue = 32 kg/ml.

