

# User Guide

## -Automatic Ethanol Fires



Multiple Functions: Manual Buttons Control / Remote Control / LCD Screen / Over-heat protection / Over-flow protection / Leakage protection / Co2 protection etc...



U.S.: Federal  
Communications  
Commission (FCC)



Canada: Industry  
Canada (IC)



Japan: Ministry of Internal  
Affairs and  
Communications (MIC)



Korea: Korea  
Certification (KC)



Europe: Conformite  
Europeenne (CE)

### Art Fireplace Technology Limited.

PROFESSIONAL INTELLIGENT FIREPLACE LEADER

Official Website: <https://www.art-fireplace.com>

Phone: 0086 13928878187 E-mail: [info@art-fireplace.com](mailto:info@art-fireplace.com)

Address: FLAT/RM 705,7/F,FA YUEN COMM BLDG NO.75,FA YUEN  
STREET,MONG KOK,KLN,HK

## ART FIREPLACE MODELS:

### Ethanol

Burners:AF66,AF70,AF80,AF90,AF100,AF110,AF120,AF130,AF140,AF150,AF180,AF210,AF230,AF250,AF270,AF300...

Square Ethanol Burner:AS50 Round Ethanol Burner:AR70

Wall Mount Ethanol Fireplaces: AH66,AH100,

Portable Fireplace: AP60,APR65

Manual Fire:AFM50,AFM70,AFM90,AFM100,AFM120,AFM150,AFM180...

Round Manual Fire:AMR50,AMR80

### 3D Water Mist Fireplaces:

AFW80,AFW100,AFW120,AFW150,AFW180,AFW200,AFW230,AFW250...

Customized Burners/Fireplaces are available.

Made to measure burners have the same technical equipment.

### 1. WARNING!

Before any use, the device must be installed accordingly to paragraph 3&4.

This apparatus is manufactured to have intermittent functioning.

Ignoring these instructions could result in death or injury.

Use your device only in well ventilated areas.

Always observe the rules for provision of combustion and ventilating air for unvented heaters.

Installing the fireplace horizontally (check it with a spirit level). Fix it strongly against the wall or on the ground.

Respect the local and national laws regarding the use of fireplaces.

### WARNING! SAFETY ADVICE!

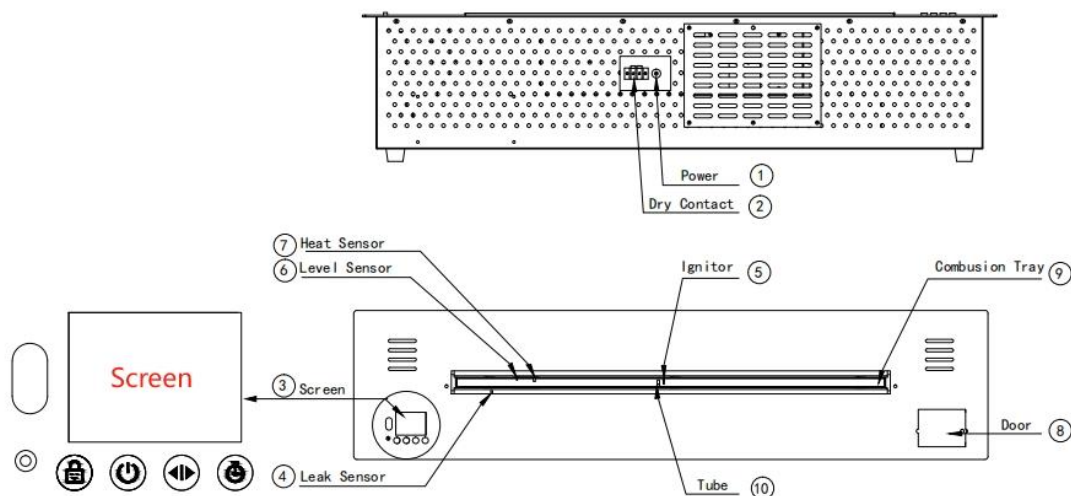
- Every room where the apparatus is used must be provided with a sufficient fresh supply of oxygen (accordingly to the local rules and regulation).
- Do not use the device near flammable objects.
- Never use your device to heat or boil water or as a cooking appliance.
- It is forbidden to use this device in caravans on the systems of safety.
- A safety system prevents the ignition when the apparatus is hot. Do not hinder it' s functioning.
- Do not move the device when it is running or cooling down.
- If the power cable supplied with the fire is damaged, please contact your supplier for a replacement from the manufacture.
- Never put your hand, touch or lean on the fireplace when it is functioning or during cooling period.

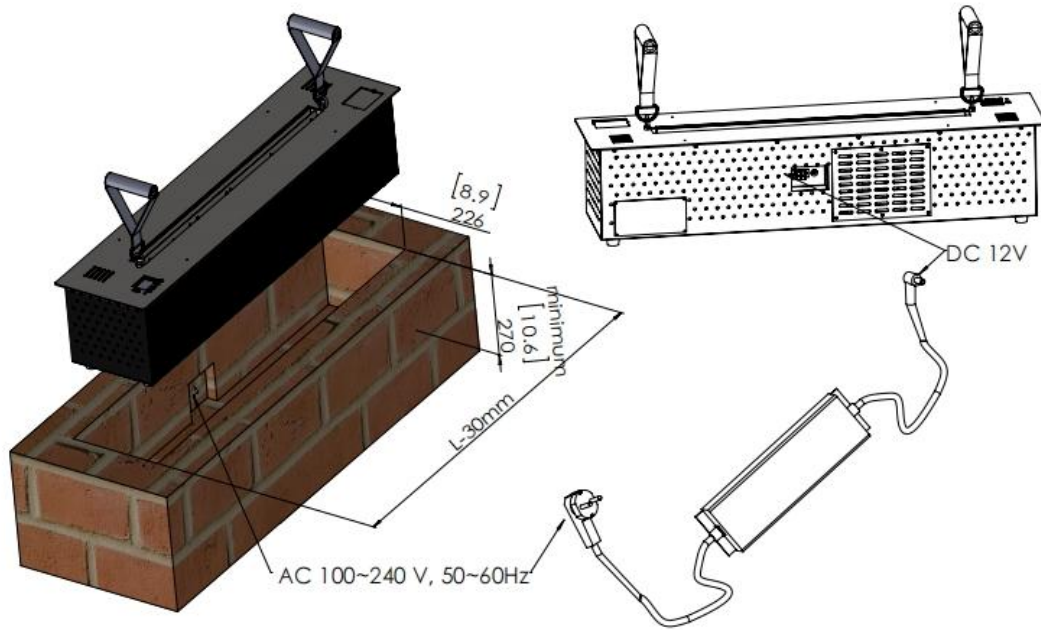
- It is advisable to have a powder or CO2 extinguisher near your fireplace in case of emergencies.
- Before igniting the fireplace you must be in the same room as the fireplace. Keep the fireplace permanently under surveillance as soon as the fire has started. Keep children away.
- Never use accessories which are not of origin of stamped by the manufacture.
- Never leave any objects on the device. Remove these objects before the ignition.
- Never use in a room with drafts.



### COMBUSTIBLE WARNING!

- Only use denatured Ethanol (Ethyl-Alcohol) 95% vol. minimum.
- Never use other fuel or combustible.
- Never store the fuel for the device in your living areas.
- The addition of other additive (essential oil, perfumes) in the fuel is forbidden.
- Do not throw anything in the fuel which burns.
- During the filling, ventilate the room, do not smoke and switch on/off the mobile phone.
- The filling of the tank has to be made when the fire is put out (safety against the fire). An electronic security system prevents the tank door from opening by locking it while the burner is running or is still in high temperature. When the burner is cold, you can press on the trap door switch for refueling.
- Never dispose the fuel in the water pipelines nor in nature. Respect the environment.
- Do not store bio-ethanol near the fireplace.





## 2. TECHNICAL CHARACTERISTICS OF THE DEVICES

Reference (Models)	Output (Watts)	Consumption (Litre/hour)	Tank capacity (Liters)	Dimensions L x W x H (cm)	Weight (Kgs)	Minimum volume * (m3)
AF66	3750	0.6	8.5	68*24*21.5	16.0	59
AF80	3850	0.8	10.5	82*24*21.5	19.0	70
AF100	6200	0.9	13.5	102*24*21.5	24.0	90
AF120	7500	1.1	16.0	122*24*21.5	33.0	105
AF150	10000	1.7	20.0	152*24*21.5	42.0	120
AF180	12400	2.2	25.0	182*24*21.5	52.0	140
AF210	14000	2.8	27.0	210*24*21.5	59.0	150
AF230	15600	3.5	31.0	230*24*21.5	65.0	160
AR70	8750	1.2	12.0	Φ=70	28.0	130
AS50	8750	1.2	12.0	50*50*21.5	25.0	130
AH66	3750	0.6	3.7	110*27.5*56	37.0	50
AH100	6200	0.9	5.7	144*27.5*56	47.0	80

\*Minimum volume of room advised (m3)

Device equipped with an adapter 12 volts-110/240 V AC 50-60 Hz (7A and 10A).

Device equipped with an infrared remote control (Batteries not supplied).

Device equipped with an outside connector (dry contact) allowing a remote switch On/Off.

Never start a device which will be unattended afterwards.

Length Of Device From 68cm-300cm

Any customized sizes are available.

### **3.PREPARATION OF THE DEVICE BEFORE USE**

Remove the packaging of your device.

Verify that there is no object in the burner. Remove it if necessary.

Devices **MUST BE** mounted on the wall, fixed on the ground or built-in.

#### **● Fireplaces installation**

A mounting bar with holes is supplied with wall fireplaces

Use a spirit level to ensure that the bar is straight; fix it by using appropriate screws according to

the type of chosen wall.

With the help of another person, hang the fireplace in position.

Check that the fireplace has a right level by using a spirit level.

For floor mounted devices, fix it to the floor with screws.(4 holes in the bottom of the device).

#### **● Burners Installation**

Build-in the burners according to the flame level.

Check that the fireplace has a right level by using a spirit level.

### **4.SPECIAL PRECAUTIONS FOR INSTALLATION**

- Do not cover the device.
- Do not put objects on the device when functioning.
- Leave a free access to the control buttons.
- Do not leave curtains or lace curtains within 1 meter of the device.
- Do not use in a room with draught.
- Warn people around you, particularly children of the dangers of fire. Never let them approach the device.

## 5. POWER SUPPLY CONNECTION

An adapter is provided with your device: INPUT 100-240 volts 50/60 Hz and OUTPUT 12V/7A or 12V/10A.

Before positioning, the device must be connected with the supplied adapter to the power supply.

## 6. FILLING OF THE TANK

(1) To open the door of the tank, press the tank door Button near the LCD screen.

Or Press the Remote Controller tank door Button and open the door immediately.

(2) Use Funnel to Fill 95% bio ethanol into the tank of the burner

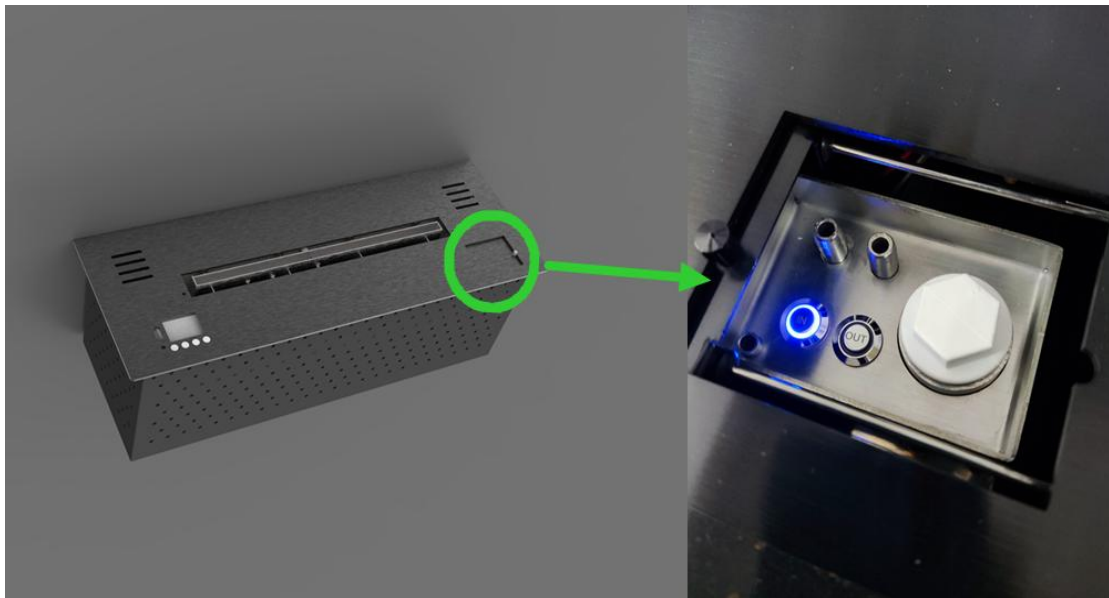
Or Keep pressing button "IN" three seconds, the ethanol will be pumped into the burner automatically.

Or press the remote controller button "IN" to fill.

(3) When tank door is full, the injection will stop automatically.

(4) Close the tank door well. 5 seconds later, the door will be locked.

(5) Then turn on the fireplace.



After filling and Close the tank door well, Wait 5 seconds,



then you can turn on the fireplace.

You can not turn on the fireplace until tank door is locked.

**Notice:**

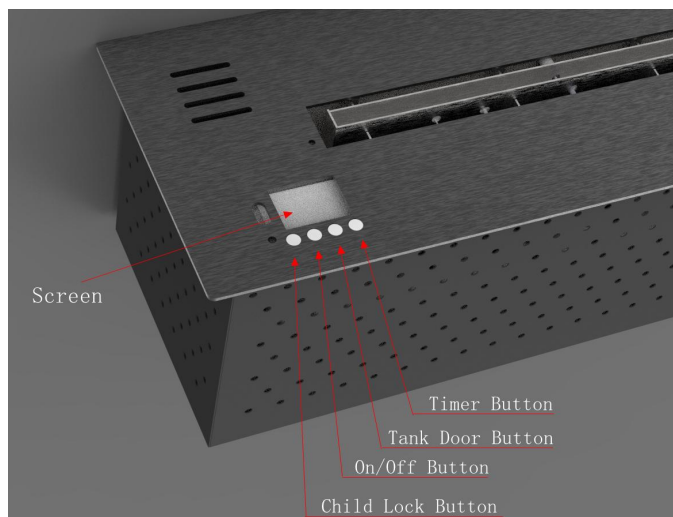
- NEVER fill the burner directly. ALWAYS fill the tank from the tank door..
- Use only the recommended fuel minimum 95% delivered in a packaging of safety.
- Fill the tank carefully without overflowing. Do not smoke, switch on/off the mobile phone near the fireplace.
- If the burner is too hot, the door will not open (Error message:TEMP/HEAT). wait until the temperature decrease.
- Close the bottle and store it away far from the fireplace.
- Stop the filling once the maximum level is reached: a BIP is emitted by the electronic gauge.
- If ever some ethanol spills out the reservoir, wipe it completely with a cloth or an absorbing paper before starting the fireplace.
- Check that no ethanol trace remains outside of the tank door before ignition.

**You absolutely need to close the tank trap door if you want to ignite your ethanol fireplace.**

**For security reasons a system will check and lock the trap door before ignition.**

**It is recommended to full fill the tank for the first use!**

## 7. INSTRUCTION OF USE



### a) Screen and Buttons

Button 1: Child lock Button (Keep pressing it 3 seconds to Lock / Unlock the device)

Button 2: On/Off Button (Keep pressing it 3 seconds to start the device, press it to turn it off)

Button 3: Tank door Button (Press it and open the tank door immediately)

Button 4: Timer Button (Press it to set working time)

Screen: LCD Screen

### b) Ignition

Ignite and shut the device only with the switch ON/OFF Button or the remote control.

Leave a remote control out reach of Children.

Press the Button **ON/OFF on the fireplace For Three SECONDS** or press on the remote control, the pump will automatically fill up the fireplace. After a few seconds an automatic ignition will take place. If the first ignition is failed, there will be a second one. If the fireplace failed to be lit up, please consult the "Error Message" on the LCD screen and read the paragraph "Error Message".

Never directly fill up the burner tray.

### c) Shutting

Shut down the device with the switch ON/OFF on the unit or press on the remote control only, The pump will stop. Wait for the flame to stop completely before leaving the room..

For security reasons, it is not possible to relight the device just after its extinction. The temperature of the fireplace must have cooled down under 60°C:140°F before restarting. Please wait a few minutes.

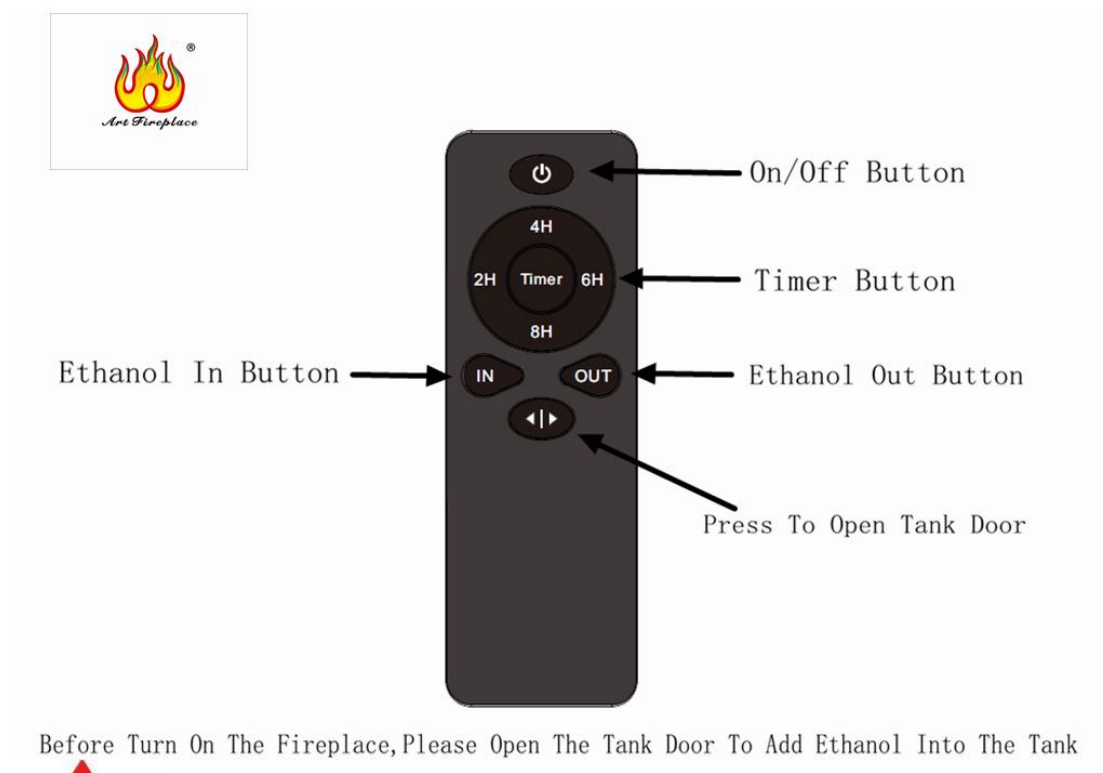
## 8.ERRORS AND FUNCTIONING MESSAGE

Message	Anomaly and functions	Solutions
<b>Lack of FUEL</b>	The tank is empty	Fill the tank with Bio Ethanol
<b>Tank is FULL</b>	The tank is full, Close the door	Stop filling and close the door
<b>FILL with Fuel</b>	Filling the tank	Filling the tank
<b>TEMP is High</b>	The temperature of the fireplace is over 60°C-140°C F	Wait until the temperature decrease
<b>Door is Open</b>	The tank door is open	Close the tank door well
<b>FAIL Failure Of Ignition</b>	Failure of the ignition	Try again or light ethanol by hand while igniter turns red.
<b>HEAT</b>	Combustion tray is burning, the other not, The temperature of the burner is over 60°C	Try again until burner temperature decrease. After 3 attempts contact your retailer
<b>PUMP</b>	Pumping	Check that pump working or not. If not, contact your retailer.

<b>LEAK</b>	The ethanol over flow from the burning tray into the safety tray	Check that there is no flame inside the safety tray. If yes contact your supplier.
<b>SHAK</b>	The burner is shaken by external forces.	Stop the burner and restart the burner again
<b>CO2</b>	The CO2 concentration in the room is high level	Let fresh air in the room space.
<b>Power Light</b>		
<b>Burning time</b>		

**WARNING: Your device works with automatic positive safeties, If an error message appears, you can restart the device only if the error has been corrected.**

## 9.REMOTE CONTROLLER



**Attention: If long Time no use the fireplace, Keep Pressing the “OUT” Button 1 second to Start Drain Out Ethanol**

## 10.MAINTENANCE AND CLEANING

- All the operations of cleaning and maintenance must be done with a dead fire and cold device.
- Clean the burners with a soft rag or cloth.
- Some components are determining the safety and the functioning of your device.

Their replacement may modify the performances of your device. Only original components must be used during the operations of maintenance, or reparations. This maintenance must only be operated by specialists.

Failure to observe this operating manual and its operating instructions as well as unauthorized tampering with the device releases us from any liability and also invalidates the warranty covering the devices and accessories.

## 11.COLORS OF THE PANEL AVAILABLE

**Mirror Black**



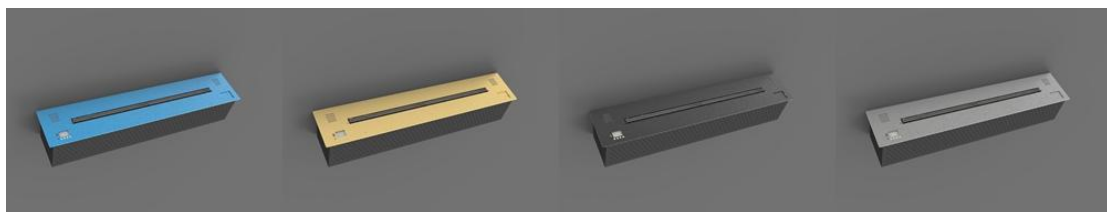
**Brush Black**



**Stainless Steel**



**Brushed Gold**





Any customized colors are available





Focus On Intelligent Ethanol Fireplaces & Water Fireplaces.

## **Art Fireplace Technology Limited.**

**PROFESSIONAL INTELLIGENT FIREPLACE LEADER**

**Official Website: <https://www.art-fireplace.com>**

**Phone:0086 13928878187 E-mail:info@art-fireplace.com**

**Address:FLAT/RM 705,7/F,FA YUEN COMM BLDG NO.75,FA YUEN STREET,MONG KOK,KLN,HK**

**Thank you For Reading.**